

## EDGE 100 G3

Incorporating a minimal trim design, with advanced LED engines to achieve intense illumination with a high lumen per watt efficacy. Our Generation 3 Series of downlights are unmatched, featuring higher quality lighting, more effective heat dissipation, and stronger LEDs.



### FEATURES

- + Adjustable head up to 25°.
- + Precision reflector with clear lens – for better light distribution.
- + Specially designed heat sink – for class leading heat dissipation.
- + Deep set lamp position – for visual comfort and glare control.
- + Suitable for concrete install with concrete canister. (Ordered Separately).
- + Generation 3 LED chip technology.



### LUMINAIRE OPTIONS

#### LED Options

13W <b>STANDARD</b>	10W	8W
1390 lm (3000K) 1500 lm (4000K)	1170 lm (3000K) 1270 lm (4000K)	1025 lm (3000K) 1100 lm (4000K)

#### Beam Options

60° <b>STANDARD</b>	36°	24°	15°
---------------------	-----	-----	-----

### GENERAL SPECIFICATIONS

Efficacy	Up to 127 lm/W
Colour Temperature	<input type="checkbox"/> 3000K, Warm White <input type="checkbox"/> 4000K, Cool White
Material	Powder Coated Aluminium
Finish	White   Black
CRI	92+
IP	44
Colour Deviation	SDCM ≤2
UGR	<19
Lifetime	>55,000hrs L80 B10
Warranty	7 Years

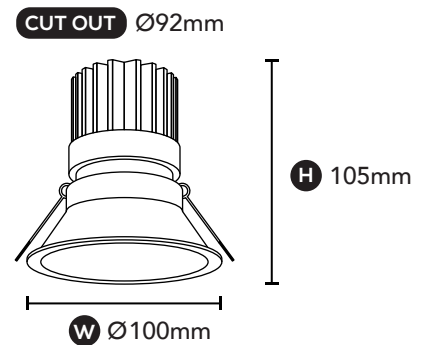
### PROJECT DETAILS

PROJECT:

TYPE:

NOTES:

### DIMENSIONS



### DRIVER SPECIFICATIONS

Dimensions	L 104 x W 43 x H 24 mm
Power	350mA   300mA   250mA 240V Remote Flicker Free Dimmable Driver
Dimming	Phase Cut Dimming
Power Factor	> 0.90

DALI Dimming Available Upon Request

### PRODUCT CODES

White, 3000K	118-ED3W13W603
Black, 3000K	118-ED3W13B603
White, 4000K	118-ED3W13W604
Black, 4000K	118-ED3W13B604

### REFLECTOR CODES

36° Reflector	118-RFLP36
24° Reflector	118-RFLP24
15° Reflector	118-RFLP15