



radiantlighting®

MODUX 2 & 4 STEP

By LuxR

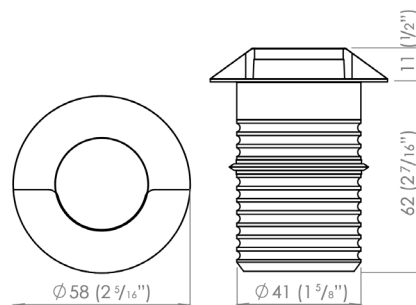
OUTDOOR

The Modux Two & Four Steplight is a low-voltage dimmable outdoor step light that produces a wash distribution 5 degrees below the flange lip, and 10 degrees above. Can be used to illuminate the wall surface adjacent to the step treads, step treads themselves, above a doorway, or as a path light wayfinder among other applications.

PROJECT

TYPE

NOTES



Cutout: Ø 43.5 mm

GENERAL SPECIFICATIONS

| | |
|---------------------------|--|
| LED | 2 W 4 W |
| LUMENS | 170 Lm 360 Lm |
| EFFICACY | 85 Lm/W 90 Lm/W |
| COLOUR TEMPERATURE | 2700K 3000K 4000K |
| MATERIAL | Natural Copper 316 Stainless Steel Powder Coated Aluminium |
| FINISH | Copper, Stainless Steel, Black |
| BEAM | -5°, +10° |
| CRI | 90+ |
| IP | 68 |
| WARRANTY | 10 Years: Copper & Stainless Steel 5 Years: Aluminium & Electronics |
| ORIGIN | New Zealand |

POWER SPECIFICATIONS

| | |
|-------------------------------|---|
| DRIVER SERIES WIRING | 700mA Constant Current (Remote) |
| DRIVER PARALLEL WIRING | 12VAC (Integral) Remote 12V Transformer Required 24VDC (Integral) Remote 24V Driver Required |

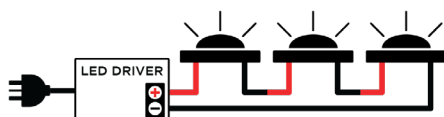
PRODUCT CODES (SERIES WIRING)

| | |
|---------------------------|----------------|
| M2 BLACK | 128-M2SLRABK30 |
| M2 COPPER | 128-M2SLRC30 |
| M2 STAINLESS STEEL | 128-M2SLRS30 |
| M4 BLACK | 128-M4SLRABK30 |
| M4 COPPER | 128-M4SLRC30 |
| M4 STAINLESS STEEL | 128-M4SLRS30 |

PARALLEL WIRING AVAILABLE UPON REQUEST

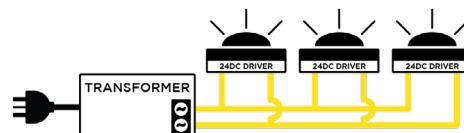
SERIES WIRING

INPUT 240VAC **OUTPUT** DC Constant Current



PARALLEL WIRING

INPUT 240VAC **OUTPUT** 12VAC | 24VDC



PERTH
+61 08 9240 1008
sales@radiantlighting.com.au

SYDNEY
1300 438 609
sales@radiantlighting.com.au

MELBOURNE
1300 438 609
sales@radiantlighting.com.au

BRISBANE
1300 438 609
sales@radiantlighting.com.au