



radiantlighting®

MODUX 2 SPIKE SPOT WITH GLARE GUARD

By LuxR

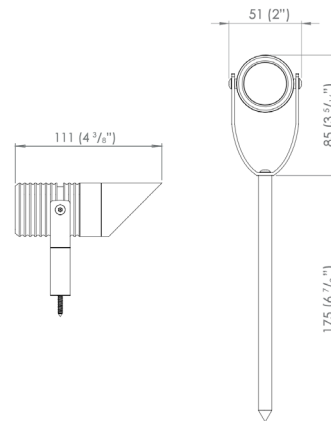
CATEGORY

The Modux Two Spike Spot with integrated glare guard is a low-voltage dimmable outdoor spot light with a solid metal spike for installing into garden soil. The fully adjustable spot light typically produces 150 lumens.

PROJECT

TYPE

NOTES



GENERAL SPECIFICATIONS

LED	2 W
LUMENS	170 Lm
EFFICACY	85 Lm / W
COLOUR TEMPERATURE	2700K 3000K 4000K
MATERIAL	Natural Copper 316 Stainless Steel Powder Coated Aluminium
FINISH	Black, Copper, Stainless Steel
BEAM	8°, 26°, 36°, 74°, 15°+40° Oval
CRI	90+
IP	68
WARRANTY	10 Years: Copper & Stainless Steel 5 Years: Electronics & Aluminium
ORIGIN	New Zealand

POWER SPECIFICATIONS

DRIVER SERIES WIRING	700mA Constant Current (Remote)
DRIVER PARALLEL WIRING	12VAC (Integral) Remote 12V Transformer Required 24VDC (Integral) Remote 24V Driver Required

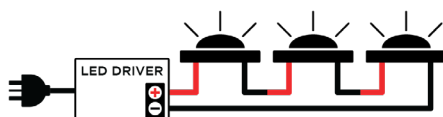
PRODUCT CODES (SERIES WIRING)

M2 BLACK	128-M2SNRABK7430BS
M2 COPPER	128-M2SNRC7430BS
M2 STAINLESS STEEL	128-M2SNRS7430BS

PARALLEL WIRING AVAILABLE UPON REQUEST

SERIES WIRING

INPUT 240VAC OUTPUT DC Constant Current



PARALLEL WIRING

INPUT 240VAC OUTPUT 12VAC | 24VDC

