

EDGE 100 FRAME 2 LIGHT



PROJECT DETAILS

PROJECT:

TYPE:

NOTES:

FEATURES

- + Allows a double light configuration.
- + Seamless styling.
- + 3mm ceiling detail.

DIMENSIONS (mm)

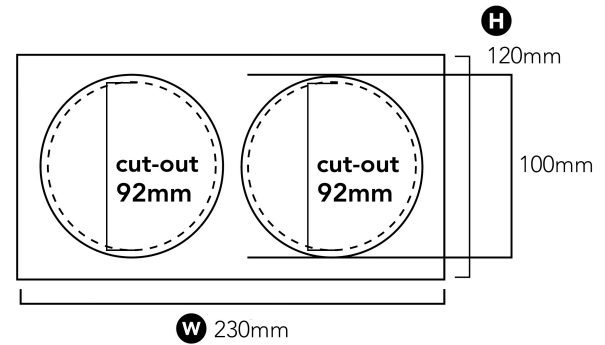
GENERAL SPECIFICATIONS

Fittings Required	Edge 100
Material	Powder Coated Aluminium
Finish	White Black
Dimensions	230mm (w) x 120mm (h) x 3mm (d)
Warranty	7 Years

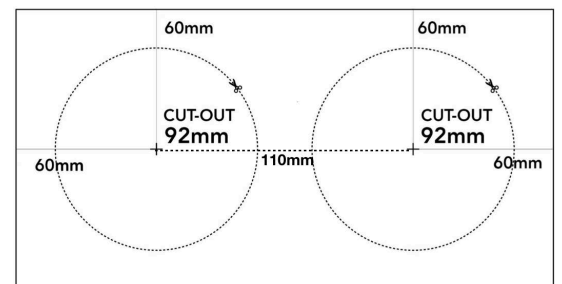
PRODUCT CODE

White	118-EDLF2W
Black	118-EDLF2B

Product Dimensions



Cut-Out Information



***Please note:** Edge 100 fittings are supplied seperately.

EDGE 100

A clean finish every time - the EDGE 100 downlight features a wider trim for ease of install, especially when recessed into concrete ceilings. Utilising advanced LED engines to achieve unmatched illumination with a fraction of the energy.



FEATURES

- + Adjustable head up to 25°.
- + Precision reflector with clear lens – for better light distribution.
- + Specially designed heat sink – for class leading heat dissipation.
- + Deep set lamp position – for visual comfort and glare control.
- + Next-Generation LED chip technology.



LUMINAIRE OPTIONS

LED Options

15W STANDARD	12W	10W
1320 lm (3000K) 1270 lm (4000K)	1105 lm (3000K) 1150 lm (4000K)	960 lm (3000K) 1000 lm (4000K)

Beam Options

60° STANDARD	36°	24°	15°
---------------------	-----	-----	-----

GENERAL SPECIFICATIONS

Efficacy	Up to 95 lm/W
Colour Temperature	<input type="checkbox"/> 3000K, Warm White <input type="checkbox"/> 4000K, Cool White
Material	Powder Coated Aluminium
Finish	White Black
CRI	92+
IP	44
Colour Deviation	SDCM ≤2
UGR	<19
Lifetime	>55,000hrs L80 B10
Warranty	7 Years

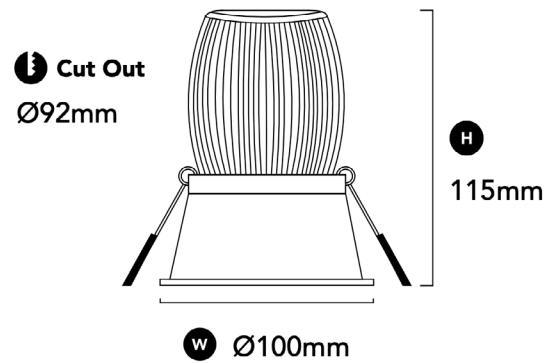
PROJECT DETAILS

PROJECT:

TYPE:

NOTES:

DIMENSIONS



DRIVER SPECIFICATIONS

Dimensions	L 104 x W 43 x H 24 mm
Power	250mA 300mA 350mA 240V Remote Flicker Free Dimmable Driver
Dimming	Phase Cut Dimming
Power Factor	> 0.90

DALI Dimming Available Upon Request

PRODUCT CODES

White, 3000K	118-ED2L13W603
Black, 3000K	118-ED2L13B603
White, 4000K	118-ED2L13W604
Black, 4000K	118-ED2L13B604

REFLECTOR CODES

36° Reflector	118-RFLP36
24° Reflector	118-RFLP24
15° Reflector	118-RFLP15