

EDGE 110 G3

Incorporating a minimal trim design, with advanced LED engines to achieve intense illumination with a high lumen per watt efficacy. Our Generation 3 Series of downlights are unmatched, featuring higher quality lighting, more effective heat dissipation, and stronger LEDs.



FEATURES

- + Adjustable head up to 25°.
- + Precision reflector with clear lens – for better light distribution.
- + Specially designed heat sink – for class leading heat dissipation.
- + Deep set lamp position – for visual comfort and glare control.
- + Suitable for concrete install with concrete canister. (Ordered Separately).
- + Generation 3 LED chip technology.



LUMINAIRE OPTIONS

LED Options

13W STANDARD	10W	8W
1400 lm (3000K) 1500 lm (4000K)	1170 lm (3000K) 1270 lm (4000K)	1025 lm (3000K) 1125 lm (4000K)

Beam Options

60° STANDARD	36°	24°	15°
---------------------	-----	-----	-----

GENERAL SPECIFICATIONS

Efficacy	Up to 127 lm/W
Colour Temperature	<input type="checkbox"/> 3000K, Warm White <input type="checkbox"/> 4000K, Cool White
Material	Powder Coated Aluminium
Finish	White Black
CRI	92+
IP	44
Colour Deviation	SDCM ≤2
UGR	<15
Lifetime	>55,000hrs L80 B10
Warranty	7 Years

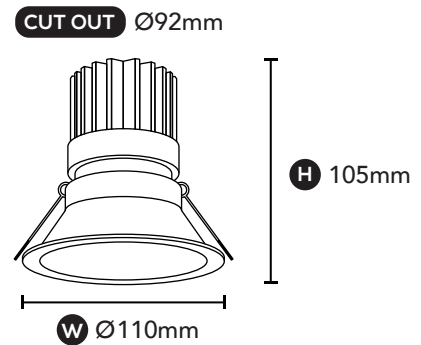
PROJECT DETAILS

PROJECT:

TYPE:

NOTES:

DIMENSIONS



DRIVER SPECIFICATIONS

Dimensions	L 104 x W 43 x H 24 mm
Power	350mA 300mA 250mA 240V Remote Flicker Free Dimmable Driver
Dimming	Phase Cut Dimming
Power Factor	> 0.90

DALI Dimming Available Upon Request

PRODUCT CODES

White, 3000K	118-ED3W13W603
Black, 3000K	118-ED3W13B603
White, 4000K	118-ED3W13W604
Black, 4000K	118-ED3W13B604

REFLECTOR CODES

60° Lens	118-LSE360
36° Reflector	118-RFLP36
36° Lens	118-LSE336
24° Reflector	118-RFLP24
24° Lens	118-LSE324
15° Reflector	118-RFLP15
15° Lens	118-LSE315