

EDGE X

The EDGE X packs a powerful punch! Providing intense illumination with very little energy.



FEATURES

- + Precision reflector with clear lens – for better light distribution.
- + Specially designed heat sink – for application in minimal ceiling spaces.
- + Deep set lamp position – for visual comfort and glare control.
- + Next-Generation LED chip technology.
- + Compatible with remote Casambi CBU-TED Bluetooth Controllable
- + Dimmer (71-CASCBU) & with Casambi BasicDim Driver 13W (71-CAS350).



LUMINAIRE OPTIONS

LED Options

13W STANDARD	10W	8W
1065 lm (3000K) 1070 lm (4000K)	920 lm (3000K) 920 lm (4000K)	740 lm (3000K) 745 lm (4000K)

Beam Options

60° STANDARD	36°	24°	15°
---------------------	-----	-----	-----

GENERAL SPECIFICATIONS

Efficacy	Up to 92 lm/W
Colour Temperature	<input type="checkbox"/> 3000K, Warm White <input type="checkbox"/> 4000K, Cool White
Material	Powder Coated Aluminium
Finish	White Black
CRI	92+
IP	44
Colour Deviation	SDCM ≤2
UGR	<13
Lifetime	>55,000hrs L80 B10
Warranty	5 Years

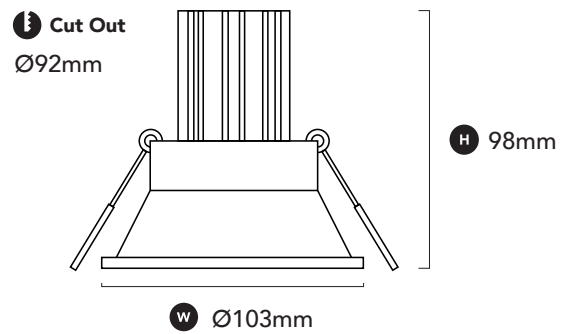
PROJECT DETAILS

PROJECT:

TYPE:

NOTES:

DIMENSIONS



DRIVER SPECIFICATIONS

Dimensions	L 98 x W 40 x H 22 mm
Power	180mA 240mA 300mA 240V Remote Flicker Free Dimmable Driver
Dimming	Phase Cut Dimming
Power Factor	> 0.90

DALI Dimming Available Upon Request

PRODUCT CODES

White, 3000K	118-ED2X13W603
Black, 3000K	118-ED2X13B603
White, 4000K	118-ED2X13W604
Black, 4000K	118-ED2X13B604

REFLECTOR CODES

36° Reflector	118-RFLX36
24° Reflector	118-RFLX24
15° Reflector	118-RFLX15