

TWIST

A stylish feature to incorporate into any space, providing seamless light in any direction, with a 360° revolving hinge, and up to 90° rotation.



FEATURES

- + High CRI – Defined architectural details and finishes.
- + Quick connection system for durability and easy installation.
- + Available in 4 beam angles, for the perfect light application.
- + High quality lens, for superior light emissions.
- + Available surface mounted or recessed.



GENERAL SPECIFICATIONS

LED	13W
Lumens	(3000K) 1400 lm (4000K) 1500 lm
Efficacy	Up to 115 lm/W
Colour Temperature	 3000K, Warm White 4000K, Cool White
Material	Powder Coated Aluminium
Finish	White Black
Beam	50° 36° 25° 15°
CRI	90+
IP	20
Colour Deviation	SDCM ≤3
UGR	<18
Lifetime	>55,000hrs L80 B10
Warranty	5 Years

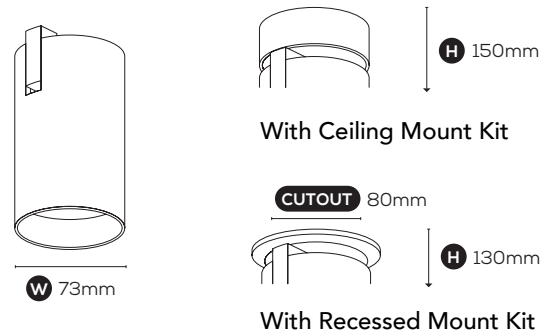
PROJECT DETAILS

PROJECT:

TYPE:

NOTES:

DIMENSIONS



DRIVER SPECIFICATIONS

Power	350mA 240V Built-In Driver
Dimming	Phase Cut Dimming
Power Factor	> 0.95

PRODUCT CODES

White, 3000K	7-TWIS13W503
Black, 3000K	7-TWIS13B503
White, 4000K	7-TWIS13W504
Black, 4000K	7-TWIS13B504

ACCESSORY CODES

Ceiling Mount Kit, White	7-TWISCMKW
Ceiling Mount Kit, Black	7-TWISCMKB
Recessed Mount Kit, White	7-TWISRMKW
Recessed Mount Kit, Black	7-TWISRMKB
36° Lens	7-TWISLNS36
25° Lens	7-TWISLNS25
15° Lens	7-TWISLNS15
Honeycomb Lens	7-TWISH
Gold Baffle	7-TWISGB
White Baffle	7-TWISWB