



radiantlighting®

CARMEN 61

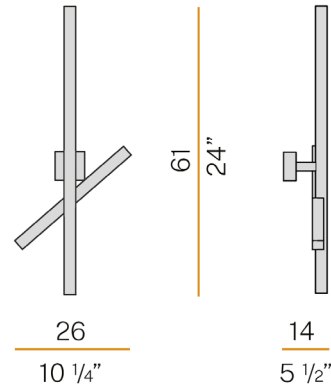
By PANZERI

WALL

PROJECT

TYPE

NOTES



GENERAL SPECIFICATIONS

LED	13 W
LUMENS	1025 Lm
EFFICACY	78.85 Lm / W
COLOUR TEMPERATURE	3000K
MATERIAL	Polyacrylic Paint, Pickled Sheet Metal, Galvanized Sheet Metal, Polycarbonate Screens,
FINISH	White, Black
BEAM	Diffused
CRI	90+
IP	20
COLOUR DEVIATION	SDCM ≤3
WEIGHT	1.79 kg
WARRANTY	3 Years
ORIGIN	Italy

POWER SPECIFICATIONS

DRIVER	220-240V AC 50/60Hz Integrated
--------	--------------------------------

PRODUCT CODES

CODES AVAILABLE UPON REQUEST



radiantlighting®

CARMEN 151

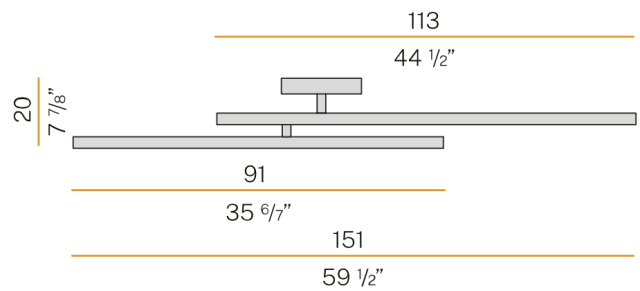
By PANZERI

WALL

PROJECT

TYPE

NOTES



GENERAL SPECIFICATIONS

LED	28.5 W
LUMENS	2519 Lm
EFFICACY	89.96 Lm / W
COLOUR TEMPERATURE	3000K
MATERIAL	Polyacrylic Paint, Pickled Sheet Metal, Galvanized Sheet Metal, Polycarbonate Screens,
FINISH	White, Black
BEAM	Diffused
CRI	90+
IP	20
COLOUR DEVIATION	SDCM ≤3
WEIGHT	4.08 kg
WARRANTY	3 Years
ORIGIN	Italy

POWER SPECIFICATIONS

DRIVER	220-240V AC 50/60Hz Integrated
--------	--------------------------------

PRODUCT CODES

CODES AVAILABLE UPON REQUEST