



radiantlighting®

CARL2

By PANZERI

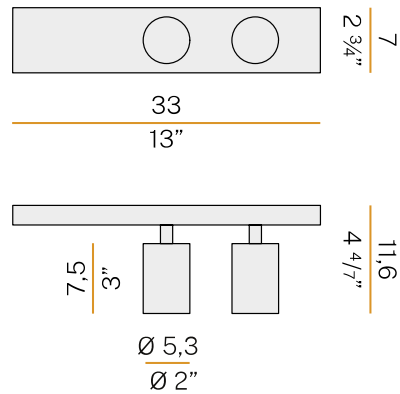
CEILING

Lighting fitting that combines a pair of Carl adjustable projectors, to create multiple plays of light in the interior space. To install ceiling or wall mount, it complements the Carl family also thanks to the available finishes in white, black, bronze, mat brass and bronze.

PROJECT

TYPE

NOTES



GENERAL SPECIFICATIONS

LED	43 W
LUMENS	2872 Lm
EFFICACY	67 Lm / W
COLOUR TEMPERATURE	3000K
MATERIAL	Pickled Sheet Metal, Die-Cast Aluminium, Polyacrylic Paint, Textured Glass Screens
FINISH	White, Black, Bronze, Brass, Titanium
CRI	90+
BEAM ANGLE	30°
IP	20
UGR	< 16
WEIGHT	1.20 kg
ORIGIN	Italy

POWER SPECIFICATIONS

DRIVER	220-240V AC 50/60Hz Integrated
--------	--------------------------------

PRODUCT CODES

WHITE	51-P12501.033
BLACK	51-P12502.033
BRONZE	51-P12517.033
BRASS	51-P12519.033
TITANIUM	51-P12530.033