



radiantlighting®

GOLDEN RING 80

By PANZERI

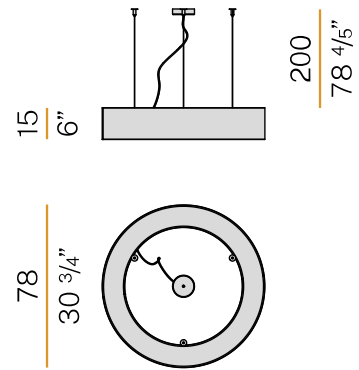
SUSPENSION

Suspension ring in curved aluminium with top and bottom high-transmittance screens in opal polycarbonate. Emission of both direct and indirect light or direct only, through LED modules. All double emission versions provided with DALI/ Push DIM dimming. Possibility of having LED 4000K upon request.

PROJECT

TYPE

NOTES



GENERAL SPECIFICATIONS

LED	87 W
LUMENS	6106 Lm
EFFICACY	70 Lm / W
COLOUR TEMPERATURE	3000K
MATERIAL	Pickled Sheet Metal, Aluminium, Polycarbonate Opal Diffuser, Polyacrylic Paint or Gold Leaf
FINISH	White, Black, Gold Leaf
CRI	90+
IP	40
COLOUR DEVIATION	SDCM ≤3
WEIGHT	10.68 kg
ORIGIN	Italy

POWER SPECIFICATIONS

DRIVER	220-240V AC, 50/60Hz
DIMMABLE	DALI / Push Dim

PRODUCT CODES

WHITE	51-L08101.080
BLACK	51-L08102.080
GOLD LEAF	51-L08121.080

ACCESSORY CODES

CANOPY FOR POWER SUPPLY & TO JOIN 6 STEEL CABLES	51-M8101-6
--	------------



radiantlighting®

GOLDEN RING 120

By PANZERI

SUSPENSION

Suspension ring in curved aluminium with top and bottom high-transmittance screens in opal polycarbonate. Emission of both direct and indirect light or direct only, through LED modules. All double emission versions provided with DALI/ Push DIM dimming. Possibility of having LED 4000K upon request.

PROJECT

TYPE

NOTES



GENERAL SPECIFICATIONS

LED	150 W
LUMENS	10466 Lm
EFFICACY	70 Lm / W
COLOUR TEMPERATURE	3000K
MATERIAL	Pickled Sheet Metal, Aluminium, Polycarbonate Opal Diffuser, Polyacrylic Paint or Gold Leaf
FINISH	White, Black, Gold Leaf
CRI	90+
IP	40
COLOUR DEVIATION	SDCM ≤ 3
WEIGHT	15.59 kg
ORIGIN	Italy

POWER SPECIFICATIONS

DRIVER	220-240V AC, 50/60Hz
DIMMABLE	DALI / Push Dim

PRODUCT CODES

WHITE	51-L08101.120
BLACK	51-L08102.120
GOLD LEAF	51-L08121.120

ACCESSORY CODES

CANOPY FOR POWER SUPPLY & TO JOIN 6 STEEL CABLES	51-M8101-6
--	------------



radiantlighting®

GOLDEN RING 180

By PANZERI

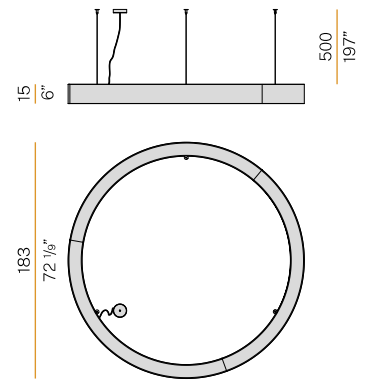
SUSPENSION

Suspension ring in curved aluminium with top and bottom high-transmittance screens in opal polycarbonate. Emission of both direct and indirect light or direct only, through LED modules. All double emission versions provided with DALI/ Push DIM dimming. Possibility of having LED 4000K upon request.

PROJECT

TYPE

NOTES



GENERAL SPECIFICATIONS

LED	220 W
LUMENS	15699 Lm
EFFICACY	71 Lm / W
COLOUR TEMPERATURE	3000K
MATERIAL	Pickled Sheet Metal, Aluminium, Polycarbonate Opal Diffuser, Polyacrylic Paint or Gold Leaf
FINISH	White, Black, Gold Leaf
CRI	90+
IP	40
COLOUR DEVIATION	SDCM ≤ 3
WEIGHT	23.05 kg
ORIGIN	Italy

POWER SPECIFICATIONS

DRIVER	220-240V AC, 50/60Hz
DIMMABLE	DALI / Push Dim

PRODUCT CODES

WHITE	51-L08101.180
BLACK	51-L08102.180
GOLD LEAF	51-L08121.180

ACCESSORY CODES

CANOPY FOR POWER SUPPLY & TO JOIN 6 STEEL CABLES	51-M8101-6
--	------------



radiantlighting®

GOLDEN RING 300

By PANZERI

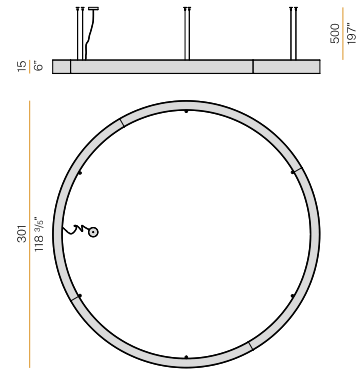
SUSPENSION

Suspension ring in curved aluminium with top and bottom high-transmittance screens in opal polycarbonate. Emission of both direct and indirect light or direct only, through LED modules. All double emission versions provided with DALI/ Push DIM dimming. Possibility of having LED 4000K upon request.

PROJECT

TYPE

NOTES



GENERAL SPECIFICATIONS

LED	370 W
LUMENS	26166 Lm
EFFICACY	70 Lm / W
COLOUR TEMPERATURE	3000K
MATERIAL	Pickled Sheet Metal, Aluminium, Polycarbonate Opal Diffuser, Polyacrylic Paint or Gold Leaf
FINISH	White, Black, Gold Leaf
CRI	90+
IP	40
COLOUR DEVIATION	SDCM ≤ 3
WEIGHT	41.48 kg
ORIGIN	Italy

POWER SPECIFICATIONS

DRIVER	220-240V AC, 50/60Hz
DIMMABLE	DALI / Push Dim

PRODUCT CODES

WHITE	51-L08101.300
BLACK	51-L08102.300
GOLD LEAF	51-L08121.300

ACCESSORY CODES

CANOPY FOR POWER SUPPLY & TO JOIN 6 STEEL CABLES	51-M8101-6
--	------------