



radiantlighting®

## JACKIE TABLE

By PANZERI

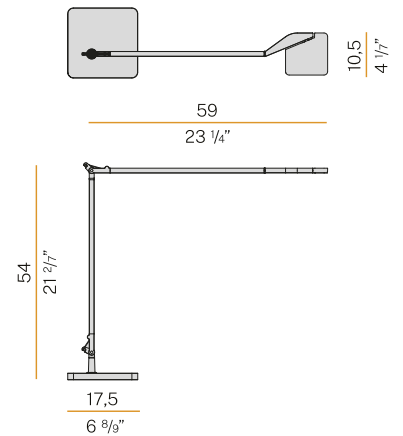
TABLE

Structure in white, black or mat brass polyacrylic paint, or brushed and colored titanium. Rotating head on 2-axis through a double joint.

### PROJECT

TYPE

NOTES



### GENERAL SPECIFICATIONS

LED	10 W
LUMENS	706 Lm
EFFICACY	71 Lm / W
COLOUR TEMPERATURE	3000K
MATERIAL	Extruded Aluminium, Pickled Sheet Metal, Steel Wire Rope Slings, Polyacrylic Paint, Modelled Acrylic Diffuser
FINISH	White, Black, Brass, Titanium
CRI	90+
IP	40
COLOUR DEVIATION	SDCM ≤3
WEIGHT	4.10 kg
ORIGIN	Italy

### POWER SPECIFICATIONS

DRIVER	220-240V AC 50/60Hz Dimmable Driver
DIMMABLE	Step Dim

### PRODUCT CODES

WHITE	51-C07701.000
BLACK	51-C07702.000
BRASS	51-C07719.000
TITANIUM	51-C07730.000