



radiantlighting®

## LOLA SURFACE

By PANZERI

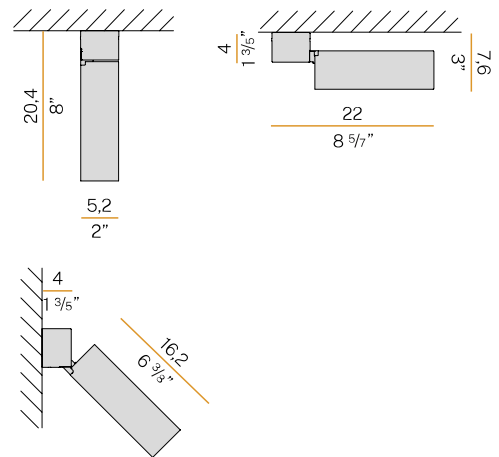
CEILING

Lola is synonym of versatility: one design, multiple applications, to offer personalized and flexible lighting solution, ideal for every design need. It can be used in a number of project environments, from retail to hospitality to residential, thanks to its design characterized by compact lines, the elegant cylindric form of the head and the possibility of adjusting the light direction

### PROJECT

TYPE

NOTES



### GENERAL SPECIFICATIONS

LED	9 W
LUMENS	972 Lm
EFFICACY	108 Lm / W
COLOUR TEMPERATURE	3000K
MATERIAL	Die-Cast Aluminium, Polyacrylic Paint, Textured Glass Screens
FINISH	White, Black, Bronze, Brass, Titanium
CRI	90+
BEAM ANGLE	24°
IP	20
UGR	< 11
WEIGHT	0.60 kg
ORIGIN	Italy

### POWER SPECIFICATIONS

DRIVER	220-240V AC 50/60Hz Integrated
DIMMABLE	Phase Cut

### PRODUCT CODES

WHITE	51-P12001.020
BLACK	51-P12002.020
BRONZE	51-P12017.020
BRASS	51-P12019.020
TITANIUM	51-P12030.020



radiantlighting®

## LOLA RECESSED

By PANZERI

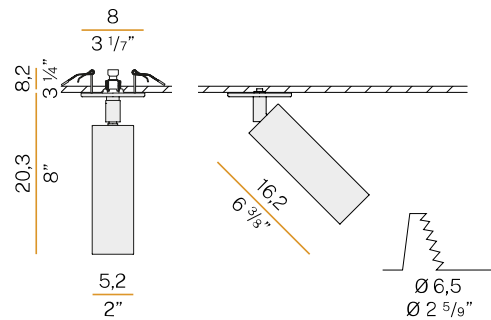
CEILING

Lola is synonym of versatility: one design, multiple applications, to offer personalized and flexible lighting solution, ideal for every design need. It can be used in a number of project environments, from retail to hospitality to residential, thanks to its design characterized by compact lines, the elegant cylindric form of the head and the possibility of adjusting the light direction

### PROJECT

TYPE

NOTES



### GENERAL SPECIFICATIONS

LED	18 W
LUMENS	1995 Lm
EFFICACY	111 Lm / W
COLOUR TEMPERATURE	3000K
MATERIAL	Die-Cast Aluminium, Polyacrylic Paint, Textured Glass Screens
FINISH	White, Black, Bronze, Brass, Titanium
CRI	90+
BEAM ANGLE	24°
IP	20
UGR	< 11
WEIGHT	0.52 kg
ORIGIN	Italy

### POWER SPECIFICATIONS

DRIVER	220-240V AC 50/60Hz Integrated
DIMMABLE	DALI / Push Dim

### PRODUCT CODES

WHITE	51-X12001.020
BLACK	51-X12002.020
BRONZE	51-X12017.020
BRASS	51-X12019.020
TITANIUM	51-X12030.020