



radiantlighting®

OPUNTIA TABLE

By PANZERI

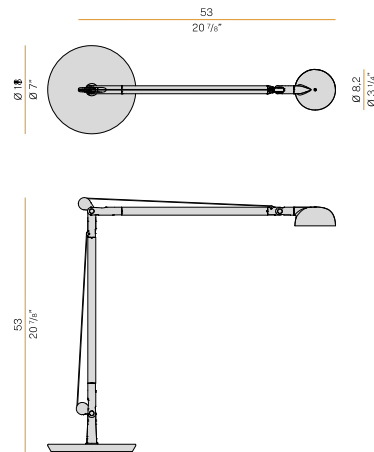
TABLE

Opuntia is a series of table, wall or ceiling-mount lamps with jointed structure for optimal positioning of the light source with respect to the working plan, ideal for workstations or for the illumination of tables and desks in home or hospitality settings.

PROJECT

TYPE

NOTES



GENERAL SPECIFICATIONS

LED	8.5 W
LUMENS	700 Lm
EFFICACY	88 Lm / W
COLOUR TEMPERATURE	2200K - 4000K (Dim To Warm)
MATERIAL	Aluminium Structure, Steel Wire Slings, Polyacrylic Paint, Polycarbonate Diffuser With Serigraphy.
FINISH	White, Black, Bronze, Brass, Olive Green, Terracotta, Titanium
CRI	90+
IP	40
WEIGHT	3.45 kg
ORIGIN	Italy

POWER SPECIFICATIONS

DRIVER	220-240V AC 50/60Hz Integrated
--------	--------------------------------

PRODUCT CODES

WHITE	51-C06801.000
BLACK	51-C06806.000
BRONZE	51-C06817.000
BRASS	51-C06819.000
OLIVE GREEN	51-C06827.000
TERRACOTTA	51-C06829.000
TITANIUM	51-C06830.000