



radiantlighting®

TUBINO TABLE

By PANZERI

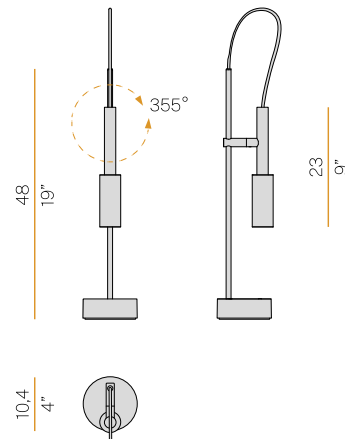
TABLE

In the floor version the lighting sources double, the positioning on the stem structure is designed to allow an use also as a reading lamp. The table version is also available as Tubino plus with Step DIM control and 5 light intensity settings.

PROJECT

TYPE

NOTES



GENERAL SPECIFICATIONS

| | |
|--------------------|---|
| LED | 6.5 W |
| LUMENS | 339 Lm |
| EFFICACY | 57 Lm / W |
| COLOUR TEMPERATURE | 2700K |
| MATERIAL | Aluminium, Polyacrylic Paint, Polycarbonate Opal Diffuser |
| FINISH | White, Black |
| CRI | 90+ |
| IP | 20 |
| COLOUR DEVIATION | SDCM ≤ 3 |
| WEIGHT | 1.42 kg |
| ORIGIN | Italy |

POWER SPECIFICATIONS

| | |
|----------|--------------------------------|
| DRIVER | 220-240V AC 50/60Hz Integrated |
| DIMMABLE | No |

PRODUCT CODES

| | |
|-------|---------------|
| WHITE | 51-C07301.001 |
| BLACK | 51-C07306.001 |