



radiantlighting®

## ZERO ROUND WALL

By PANZERI

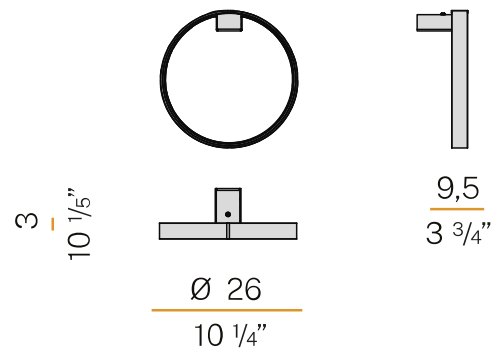
WALL

Ceiling or wall lighting fixture for interiors, with direct and indirect light emission.

### PROJECT

TYPE

NOTES



### GENERAL SPECIFICATIONS

LED	13 W
LUMENS	796 Lm
EFFICACY	61 Lm / W
COLOUR TEMPERATURE	3000K
MATERIAL	Pickled Sheet Metal, Extruded Aluminium, Polyacrylic Paint, Polycarbonate Diffuser
FINISH	White, Black, Bronze, Brass, Titanium
CRI	90+
IP	20
WEIGHT	0.62 kg
ORIGIN	Italy

### POWER SPECIFICATIONS

DRIVER	220-240V AC 50/60Hz Integrated
--------	--------------------------------

### PRODUCT CODES

WHITE	51-A03301.025
BLACK	51-A03302.025
BRONZE	51-A03317.025
BRASS	51-A03319.025
TITANIUM	51-A03330.025